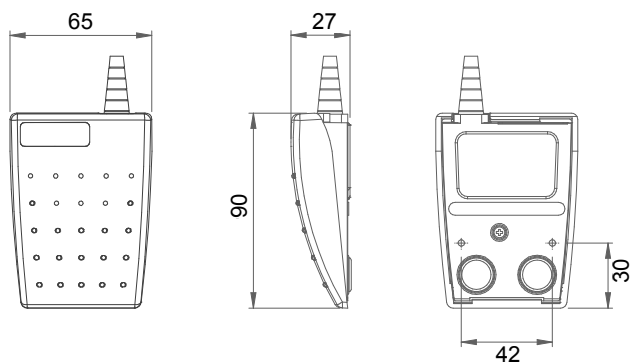




- ▶ **Low profile switch designed for improved user comfort**
- ▶ **All plastic construction with raised tread pattern, ideal for palm or foot operation**
- ▶ **Choice of operating force**
- ▶ **Versatility and innovative design make it an ideal product for OEM use**
- ▶ **Switches are designed to meet industrial and office/commercial standards (for medical approval, see 6224)**
- ▶ **Option for customers to fit own cables**

| Specifications | |
|-----------------------------|--|
| Standards/approvals | Footswitch: low voltage directive 2014/35/EU, EN 60950 Microswitch: BS EN 61058-1 |
| Degree of protection | EN 60529 IPX7 (IPX8 upon request) |
| Connection method | Stripped cable cores or connector of your choice |
| Electrical rating | See ordering information |
| Contact configuration | SPST N/O, SPST N/C, SPCO, DPST N/O |
| Operating temperature range | -5°C to +40°C |
| Body material | Thermoplastic |
| Weight | 0.212Kg (including cable) |
| Additional information | Customized versions available (logos, cordsets, colours, guards) |

Dimensions





Ordering information

(Please use the characters in the chart below to create your product code)

Sample Code 6221 - A A A B - Z A A A

| Section | Option | Character |
|---------------------------------|---|------------------------------|
| Cover & base colours | A Black Cover & Black Base | A |
| | B Grey Cover & Black Base | A |
| | C Yellow Cover & Black Base | A |
| | D Green Cover & Black Base | B |
| | L Red Cover & Black Base | - |
| | F Black Cover & Grey Base | - |
| | G Grey Cover & Grey Base | - |
| | H Yellow Cover & Grey Base | - |
| | J Green Cover & Grey Base | - |
| | K Red Cover & Grey Base | - |
| | L Blue Cover & Black Base | - |
| | Base configuration | A Base with M3 brass inserts |
| Z No inserts in base | | - |
| Pedal operation | A Light, suitable for hand operation | A |
| | B Heavy, suitable for foot operation | A |
| Switching option | A SPST N/O Choose 2-core cordset from 2- & 3-core cordset section | A |
| | B SPCO Choose 3-core cordset from 2- & 3-core cordset section | A |
| | E SPST N/O 0.1A 24V Choose 4-core cordset from either 4-core cordset section | A |

Only one cordset selection can be made from 1 of the next 4 sections, enter Z - for no option chosen for the remaining sections

If you require a customized solution for your program contact our sales team.

6221 LEPTRON PALM/ FOOTSWITCH



Ordering information

(Please use the characters in the chart below to create your product code)

Sample Code 6221 - A A A B - Z A A A

| | |
|---|---|
| Cordset sealed to IPX7 (BS EN 60529) | |
| Z | No option chosen |
| 4-core sealed to IPX7 (BS EN 60529) | |
| A | 3A 24V AC/DC, 0,5mm ² 4-core black cable, 2 m long, ends stripped 30 mm |
| B | 3A 250V AC/DC, 0,5mm ² 4-core black cable, 2 m long, ends stripped 30 mm |
| E | 0.1A 24V AC/DC, 0,5mm ² 4-core black cable, 2 m long, ends stripped 30 mm |
| Z | No options chosen |
| 2- & 3-core Cordset sealed to IPX7 (BS EN 60529) (IP68 on request) | |
| A | 3A 24V AC/DC, 0,75mm ² 2-core black cable, 2 m long, ends stripped 30 mm |
| B | 3A 250V AC/DC, 0,75mm ² 2-core black cable, 2 m long, ends stripped 30 mm |
| C | 0.1A 24V AC/DC, 0,75mm ² 2-core black cable, 2 m long, ends stripped 30 mm |
| D | 3A 24V AC/DC, 0,5mm ² 3-core black cable, 2 m long, ends stripped 30 mm |
| E | 3A 250V AC/DC, 0,5mm ² 3-core black cable, 2 m long, ends stripped 30 mm |
| F | 0.1A 24V AC/DC, 0,5mm ² 3-core black cable, 2 m long, ends stripped 30 mm |
| Z | No options chosen |
| 4-core sealed to IPX7 (BS EN 60529) | |
| A | 3A 24V AC/DC, 0,75mm ² 4-core black cable, 2 m long, ends stripped 30 mm |
| B | 3A 250V AC/DC, 0,75mm ² 4-core black cable, 2 m long, ends stripped 30 mm |
| E | 0.1A 24V AC/DC, 0,75mm ² 4-core black cable, 2 m long, ends stripped 30 mm |
| Z | No options chosen |

If you require a customized solution for your program contact our sales team.